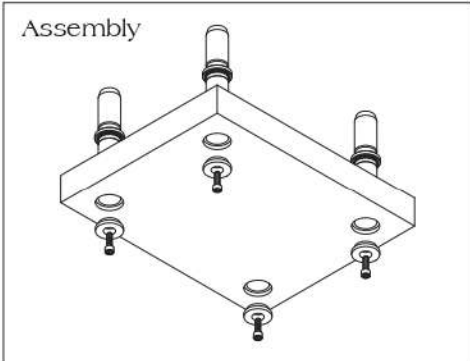
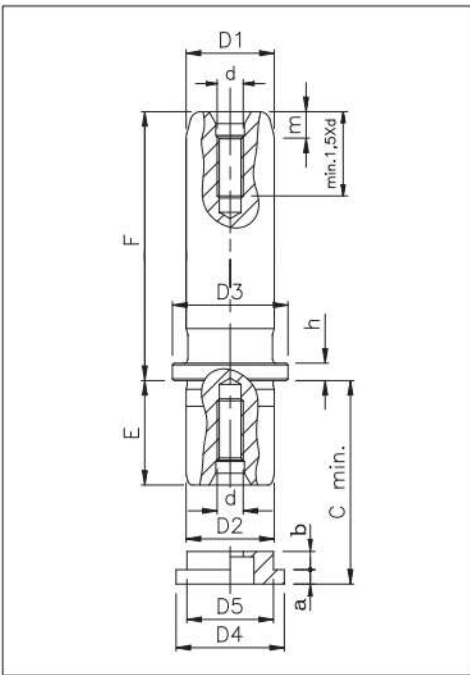
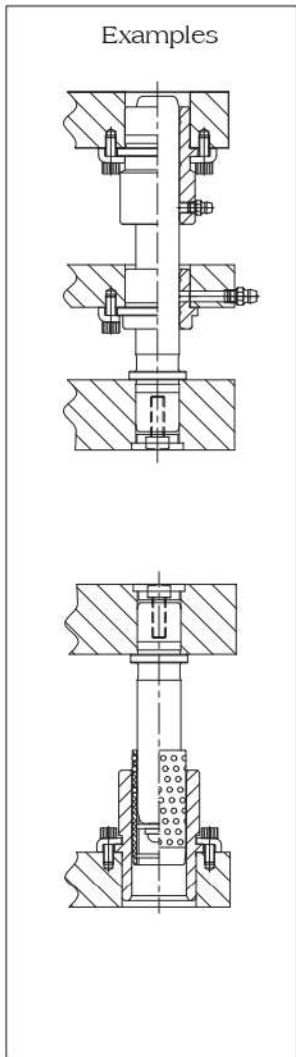
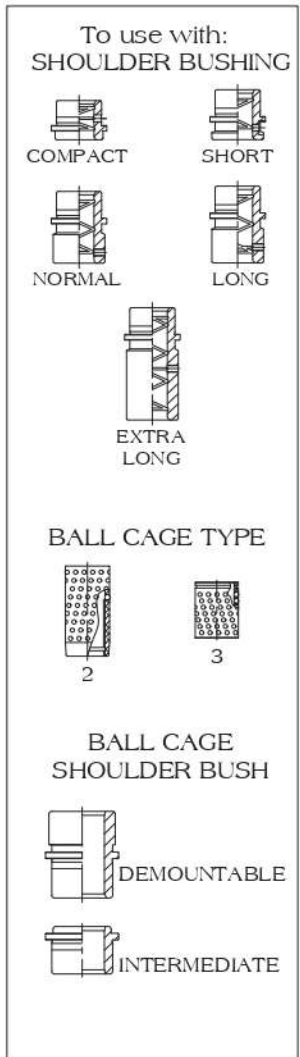
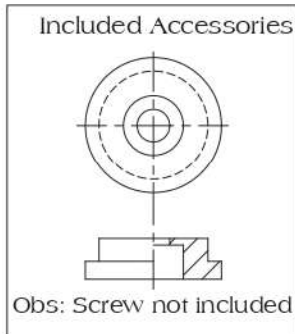
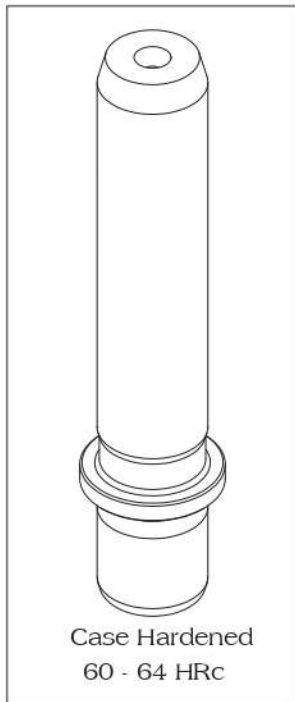


$D_1 = D_2$	25	32	40	50	63	80*
F	CATALOG NUMBER					
80	P21.025.080					
90	P21.025.090					
100	P21.025.100	P21.032.100	P21.040.100			
110	P21.025.110	P21.032.110	P21.040.110	P21.050.110		
125	P21.025.125	P21.032.125	P21.040.125	P21.050.125	P21.063.125	
140	P21.025.140	P21.032.140	P21.040.140	P21.050.140	P21.063.140	
160	P21.025.160	P21.032.160	P21.040.160	P21.050.160	P21.063.160	
180	P21.025.180	P21.032.180	P21.040.180	P21.050.180	P21.063.180	
200	P21.025.200	P21.032.200	P21.040.200	P21.050.200	P21.063.200	P21.080.200
220		P21.032.220	P21.040.200	P21.050.220	P21.063.220	P21.080.220
250		P21.032.250	P21.040.250	P21.050.250	P21.063.250	P21.080.250
280		P21.032.280	P21.040.280	P21.050.280	P21.063.280	P21.080.280
315				P21.050.315	P21.063.315	P21.080.315
355				P21.050.355	P21.063.355	P21.080.355
400				P21.050.400	P21.063.400	P21.080.400
500						P21.080.500
D_3	32	40	50	63	76	93
E	25	32	40	45	50	60
d	M6	M8	M10	M12	M16	M20
m	8					
M	20,3	24,0	30,0	36,5	42,5	51,0
N	28,7	32,3	41,1	47,5	53,4	61,8
Q_1	20,7	22,5	27,0			
Q_2	27,9	31,3	38,9	38,7	43,0	49,0
T	14,7			17,5		
CLAMPS	B01.006.000			B01.008.000		
SCREWS	A05.006.016 (M6 X 16)			A05.008.020 (M8 X 20)		
Qty	3			4		

* Dia. 80(mm), Special Item.



D ₁ =D ₂	20	25	32	40	50	63	80*
F	CATALOG NUMBER						
80	P22.020.080	P22.025.080					
90	P22.020.090	P22.025.090					
100	P22.020.100	P22.025.100	P22.032.100	P22.040.100			
110	P22.020.110	P22.025.110	P22.032.110	P22.040.110	P22.050.110		
125	P22.020.125	P22.025.125	P22.032.125	P22.040.125	P22.050.125	P22.063.125	P22.080.125
140	P22.020.140	P22.025.140	P22.032.140	P22.040.140	P22.050.140	P22.063.140	P22.080.140
160	P22.020.160	P22.025.160	P22.032.160	P22.040.160	P22.050.160	P22.063.160	P22.080.160
180		P22.025.180	P22.032.180	P22.040.180	P22.050.180	P22.063.180	P22.080.180
200		P22.025.200	P22.032.200	P22.040.200	P22.050.200	P22.063.200	P22.080.200
220			P22.032.220	P22.040.220	P22.050.220	P22.063.220	P22.080.220
250			P22.032.250	P22.040.250	P22.050.250	P22.063.250	P22.080.250
280			P22.032.280	P22.040.280	P22.050.280	P22.063.280	P22.080.280
315					P22.050.315	P22.063.315	P22.080.315
355					P22.050.355	P22.063.355	P22.080.355
400					P22.050.400	P22.063.400	P22.080.400
500							P22.080.500
D ₃ =D ₄	25	32	40	50	63	76	93
D ₅	19	24	30	38	48	63	80
E	20	25	32	40	45	50	60
d	M5	M6	M8	M10	M12	M16	M20
m	7,3	9,6	10,1	10,6	11,3	12,1	13,3
a	3,3	5,0					
b	4,2	4,0	7,0	10	13	19	25
C min.	28	35	45	56	64	75	91
h	3,3	5,0					
Washer	P02.020.000	P02.025.000	P02.032.000	P02.040.000	P02.050.000	P02.063.000	P02.080.000

* Guide post 80mm will be manufactured under request